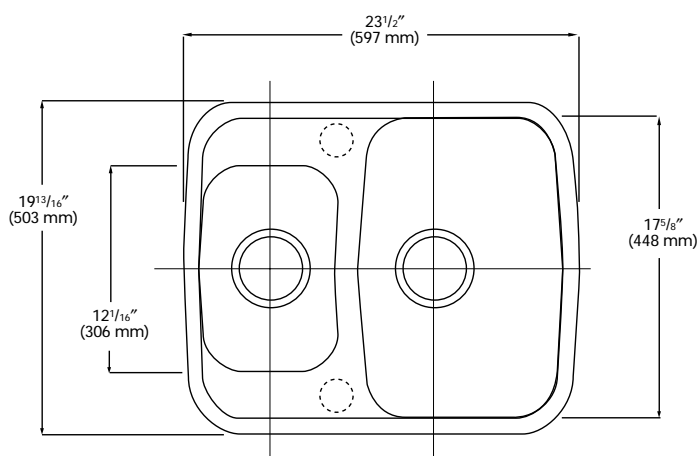




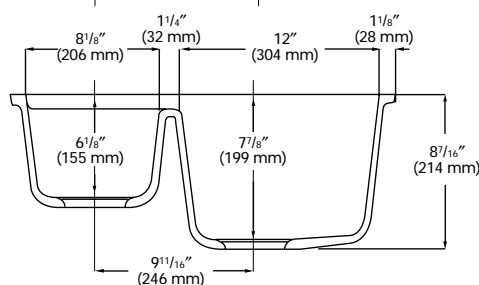
958 Double Sink

This narrower double sink offers enhanced design flexibility.

- ▶ Fits into a 24" or larger base cabinet
- ▶ Unique reversible design allows installation of the prep sink on the left or on the right
- ▶ Recessed faucet deck allows for easy cleanup
- ▶ See *Color Options* page at the beginning of Sinks section for available colors



TOP VIEW



FRONT CROSS-SECTION

INSIDE SINK DIMENSIONS

	Sink Size		
	Length	Width	Depth
958 (BEVEL MOUNT OR SEAMED UNDERMOUNT)			
inches	8 1/8	12 1/16	6 1/8
(mm)	(206)	(306)	(155)
inches	12	17 5/8	7 7/8
(mm)	(304)	(448)	(199)

For an explanation of installation options, see *Installation/Accessories*.

All drain holes in sinks are nominally 3 1/2" in diameter and accept all standard drain hardware, including waste disposal units.

Metric conversions are approximate.